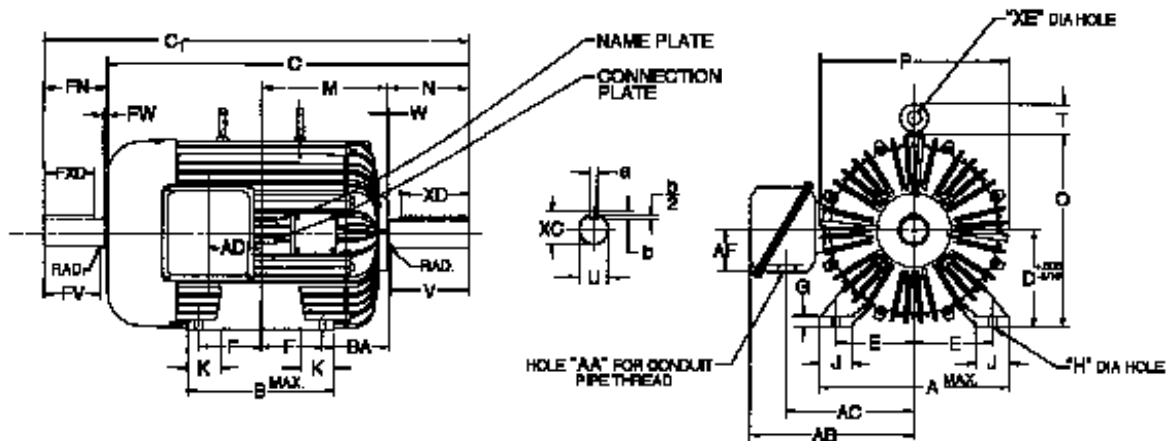


DIMENSIONS • T-FRAME, FOOT MOUNT, 3-PH

**CF & CS MODEL NUMBERS
H & P EFFICIENCY CODES**



All Dimensions In Inches.

Frame	A	B	C	D	E	2F	G	H	J	L	N	O	P
L5011*	25	39	72-1/2	12-1/2	10	36	1-1/2	15/16	4-1/4	X	11-7/8	26-7/16	28-1/4
L5011*	25.65	46.00	77.13	12.50	10.00	36.00	1.75	0.94	5.89	36.00	11.63	35.93	30.50
L5012						40.00							

Frame	U	V min.	N-W	XF	BA	Key	
						Sq.	Lgth.
L5011*	3.875	X	11-5/8	X	8-1/2	1.000	9.25
L5011*	3.875	11.25	11.63	X	8.50	1.000	9.25
L5012				36.00			

Terminal Box Dimensions

Terminal box dimensions such as AA, AB, AC, AD and AF are a function of not only frame size, but also horsepower, speed and voltage. Contact Customer Service at 1-800-668-6748 for details on your particular motor.

* Contact Lincoln to determine which frame design your motor will have.



Lincoln is continuously improving and expanding its line of large frame motors. Contact us if you don't find the dimensional information you need listed here.

Data subject to change without notice.