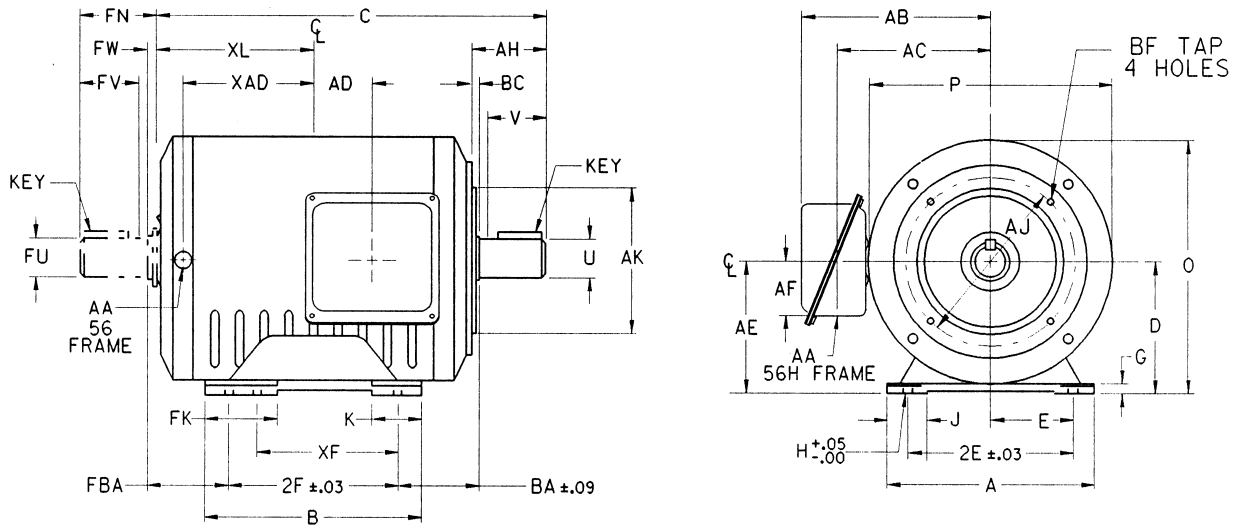


# DIMENSIONS - C-FACE WITH FEET

**REW MODEL NUMBERS  
& EFFICIENCY CODES**



FRAME	A	B	D	E	F	G	H	J	K	O	P	U	V	AA	AB	AC	AD	AE	AF
56	6.54	3.90	3.50	2.44	1.50	.13	.35X1.25	1.52	.90	6.80	6.59	.625	1.78	1/2-14					
56H	6.54	5.90	3.50	2.44	2.50	.13	.35X1.25	1.52	.90	6.80	6.59	.625	1.78	1/2	6.10	4.88	1.82	3.50	1.80

FRAME	AH	AJ	AK	BA	BB	BC	BF	XF	XM	O.D. KEY SO. LGTH	FK	FN	FU	FV	FW	FN-FW	O.D. KEY SO. LGTH		
56	2.07	5.875	4.500	2.75	.14	.19	3/8-16		4.05	.187	1.38	.90	1.82	.625	1.38	.20	1.62	.187	.88
56H	2.07	5.875	4.500	2.75	.14	.19	3/8-16	3.00	5.05	.187	1.38	2.90	1.82	.625	1.38	.20	1.62	.187	.88

FRAME	C	XL	FBA	XAD
56	10.60	4.47	3.17	3.32
G56	11.24	5.11	3.81	3.64
K56	11.60	5.47	4.17	3.83
56H	11.24	4.11	1.81	

ITEM	SIZE	TOLERANCE
KEYSEAT WIDTH	.188 THRU .750	+.002, -.000
KEYSEAT PARALLEL TO SHAFT CENTERLINE	*V*=UP THRU 4.00	.002
	*V*=OVER 4.00 THRU 10.00	.0005 PER INCH OF *V*
DIMENSION *U*	.625 THRU 1.500 DIA.	+.000, -.0005
	1.625 AND UP	+.000, -.001
DIMENSION *D*		+.00, -.06

All dimensions in inches.

\*AA\* is nominal size of conduit, hole diameter is suitable for conduit nominal size on 56H frame and NPSF on 56 frame. Special mechanical modifications may supersede dimensions which are a function of the modification.

Data subject to change without notice.